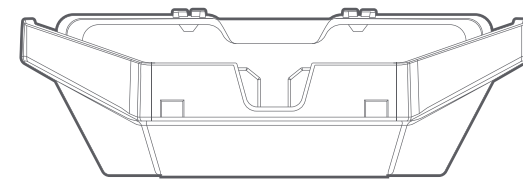
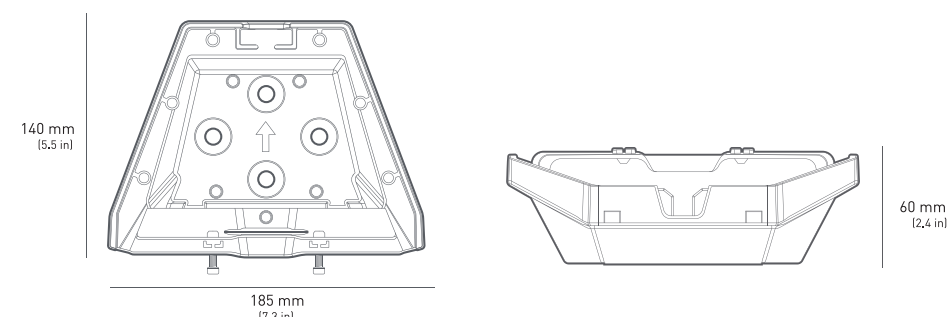
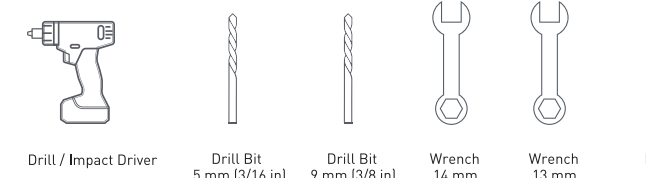


What's in the Box



Recommended Tools



SCREW INSTALLATION

1|Download the Starlink App

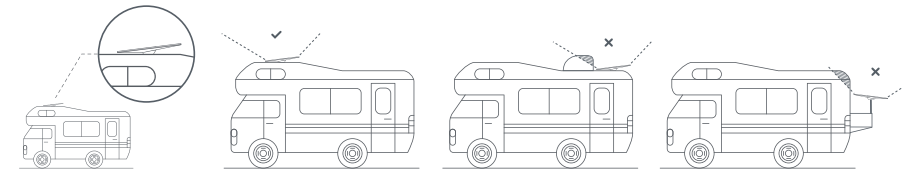
Scan the QR code to download the Starlink App.



2| Find Mounting Location

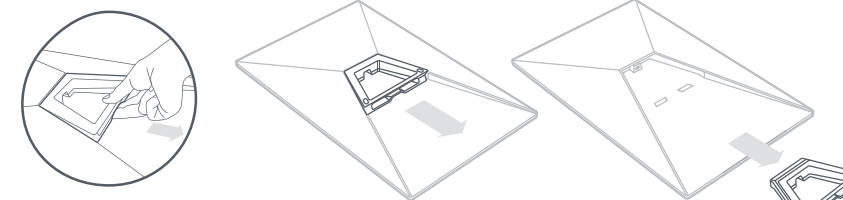
Your Starlink needs a clear view of the sky so it can stay connected with satellites as they move overhead. Objects that obstruct the connection between your Starlink and the satellite will cause service interruptions. Use the obstructions tool in your App to ensure you have selected a suitable mounting location.

You will also want to ensure your Starlink is mounted in the correct orientation relative to your vehicle as shown below.



3| Remove Kickstand

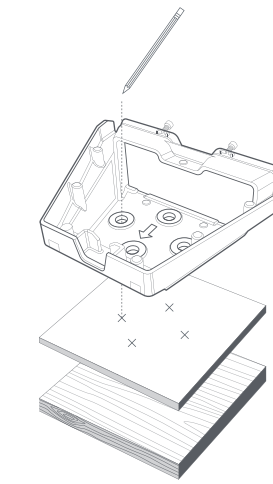
Squeeze the release tab and pull it away from its fixed location



SCREW INSTALLATION

4|Mark the Pilot Holes

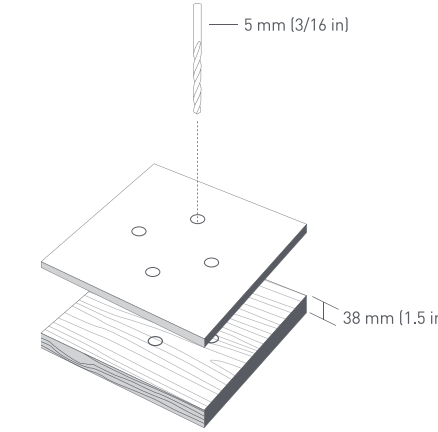
Identify the installation location on your vehicle and mark the location of the 4 holes on your mobility mount using a pen or pencil.



5|Drill the Pilot Holes

Drill the holes with a 5 mm (3/16 in) drill bit.

A mounting surface of at least 1.5mm thick is recommended.

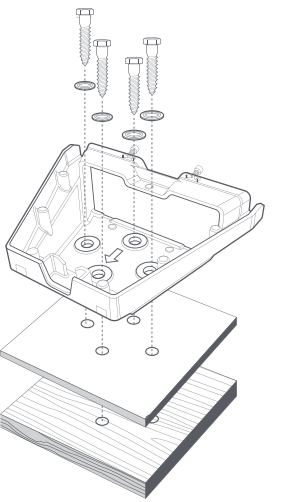


SCREW INSTALLATION

6|Screw Mount to Surface

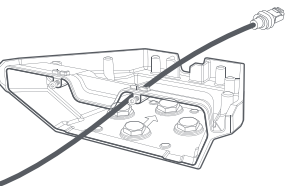
Install a washer on the end of each screw and secure the mount to surface.

Using a 13mm (1/2 in) deep-welled socket is recommended.



7|Route Cable Through Mobility Mount

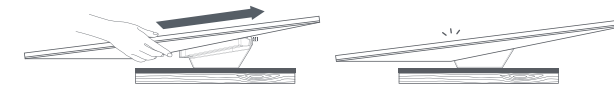
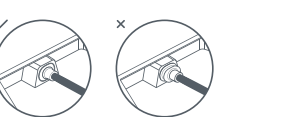
Route the Starlink cable through the opening in the mobility mount and out the front end.



8| Plug in Cable and Install Starlink

Plug the ethernet cable into your Starlink and ensure the ethernet cable is fully inserted.

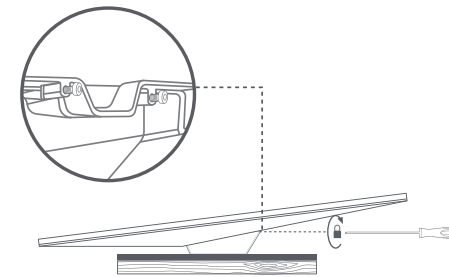
Slide your Starlink into the mount until it clicks into place.



SCREW INSTALLATION

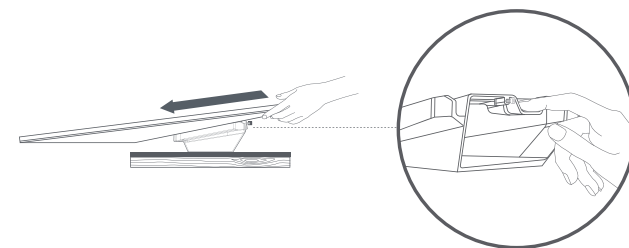
9|Secure Mount

Using the screwdriver, drive in the two locking screws until hand tight.



Removing Your Starlink

If you need to remove your Starlink, back out the locking screws. Then push down on the release tab on the mount while pushing your Starlink away from you.



BOLT INSTALLATION

1|Download the Starlink App

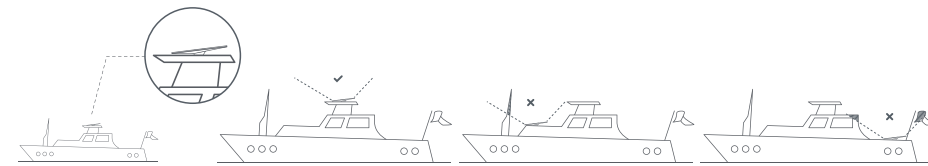
Scan the QR code to download the Starlink App.



2| Find Mounting Location

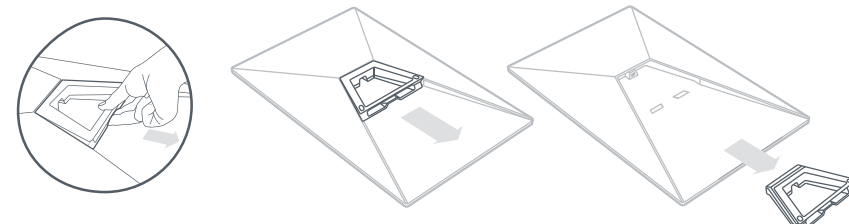
Your Starlink needs a clear view of the sky so it can stay connected with satellites as they move overhead. Objects that obstruct the connection between your Starlink and the satellite will cause service interruptions. Use the obstructions tool in your App to ensure you have selected a suitable mounting location.

You will also want to ensure your Starlink is mounted in the correct orientation relative to your vehicle as shown below.



3| Remove Kickstand

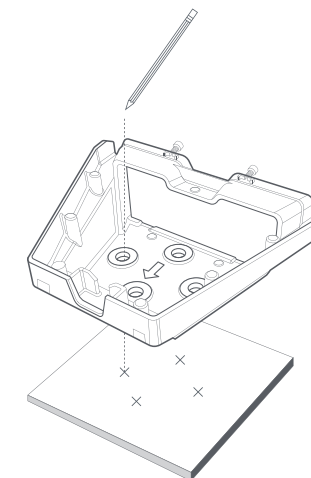
Squeeze the release tab and pull it away from its fixed location.



BOLT INSTALLATION

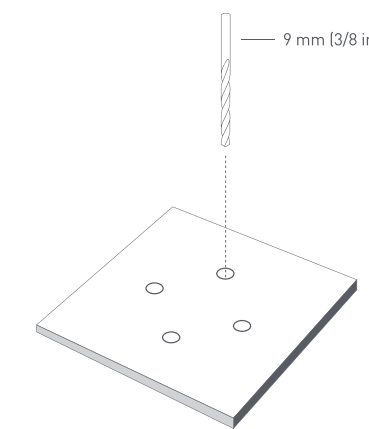
4|Mark the Pilot Holes

Identify the installation location on your vehicle and mark the location of the 4 holes on your mobility mount using a pen or pencil.



5|Drill the Pilot Holes

Drill the holes with a 9 mm (3/8 in) drill bit.

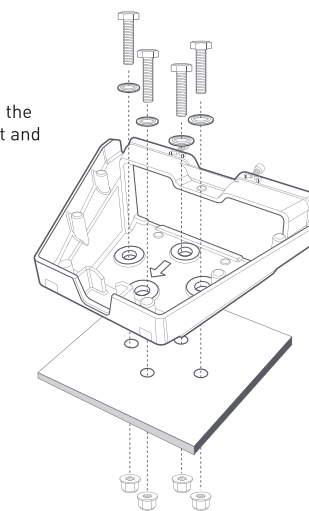


BOLT INSTALLATION

6|Secure Mount to Surface

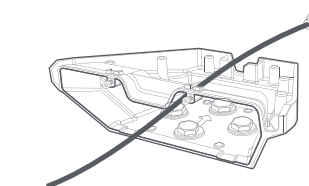
Install a washer on the end of each bolt and insert bolts through the mount and pre-drilled holes. Install a nut on the end of each bolt and secure the mount to surface.

Using a 14 mm deep-welled socket is recommended.



7|Route Cable Through Mobility Mount

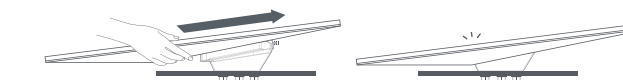
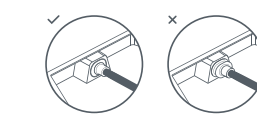
Route the Starlink cable through the opening in the mobility mount and out the front end.



8| Plug in Cable and Install Starlink

Plug the ethernet cable into your Starlink and ensure the ethernet cable is fully inserted.

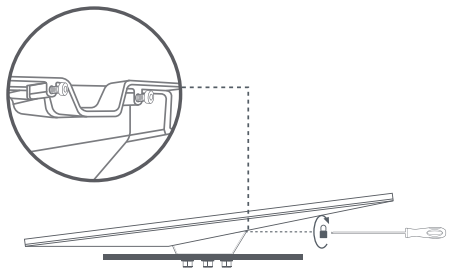
Slide your Starlink into the mount until it clicks into place.



BOLT INSTALLATION

9|Secure Mount

Using the screwdriver, drive in the two locking screws until hand tight.



Removing Your Starlink

If you need to remove your Starlink, back out the locking screws. Then push down on the release tab on the mount while pushing your Starlink away from you.

