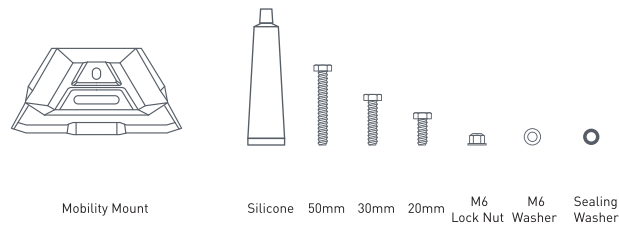
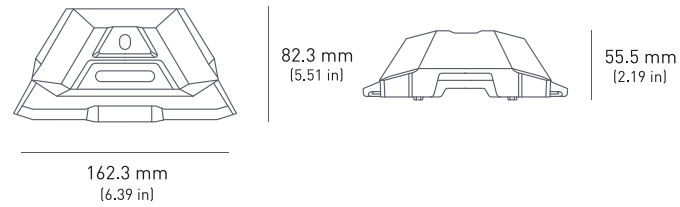
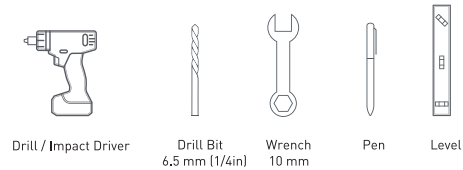


What's in the Box



Recommended Tools



SCREW INSTALLATION

1 | Download the Starlink App

Scan the QR code to download the Starlink App.



2 | Find Mounting Location

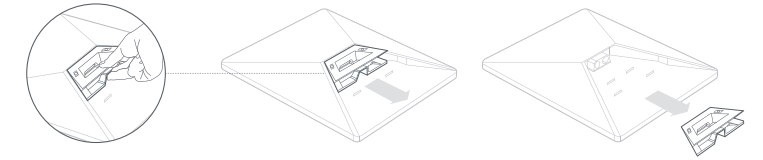
Your Starlink needs a clear view of the sky so it can stay connected with satellites as they move overhead. Objects that obstruct the connection between your Starlink and the satellite will cause service interruptions. Use the obstructions tool in your App to ensure you have selected a suitable mounting location.

You will also want to ensure your Starlink is mounted in the correct orientation relative to your vehicle as shown below.



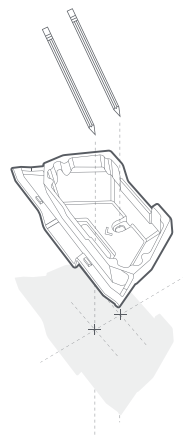
3 | Remove Kickstand

Squeeze the release tab and pull it away from its fixed location.



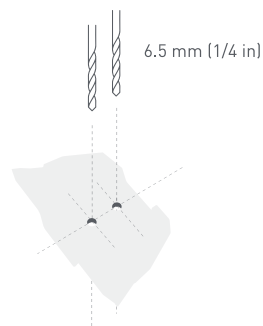
4 | Mark Installation Location

Use the mount as a guide to mark the mounting hole locations. Ensure the proper installation orientation of the mount on your vehicle. The arrow indicated on the mount points towards the front of the vehicle.



5 | Drill Mounting Holes

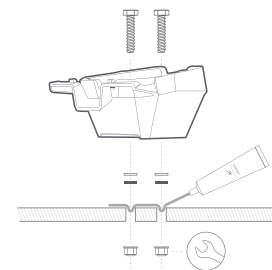
Drill holes using a 6.5 mm (1/4 in) drill bit.



6 | Secure Mount to Surface

Insert bolts through the mount and install a washer and sealing washer on the end of each bolt. Insert bolts through the pre-drilled holes and install a nut on the end of each bolt.

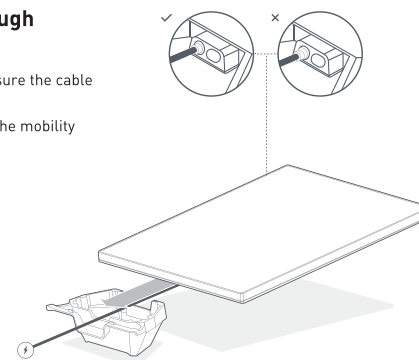
Secure the mount to surface. Using a 10 mm deep-welled socket is recommended.



7 | Plug in Cable and Route Through Mobility Mount

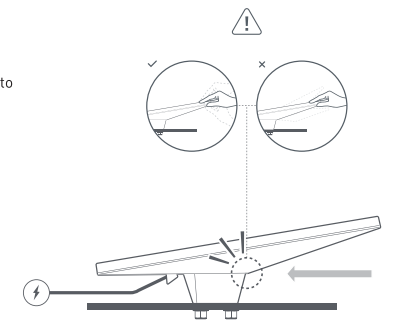
Plug the power cable into your Starlink and ensure the cable is fully inserted.

Route the power cable through the opening in the mobility mount and out the front end.



8 | Install Mobility Mount

Slide your Starlink into the mount until it clicks into place and ensure the Mobility Mount and Mini are securely attached to your vehicle.



9 | Remove Your Starlink

If you need to remove your Starlink, push down on the release tab on the mount while pushing your Starlink away from you.

