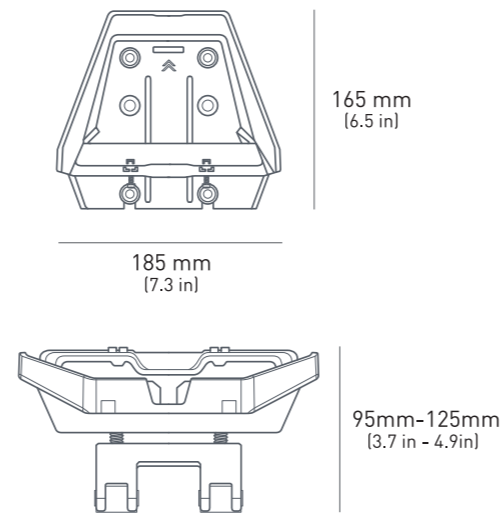
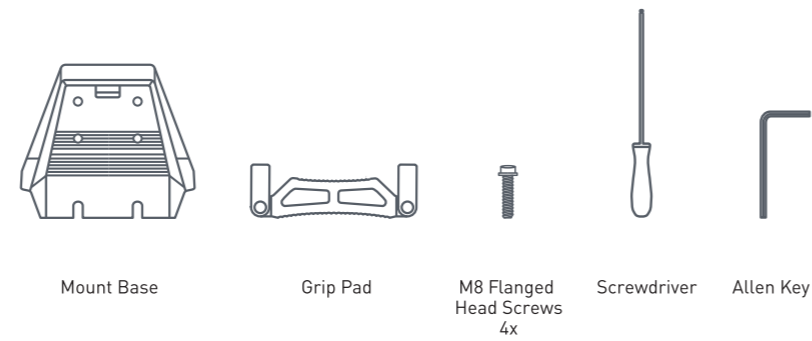


What's in the Box



-1-

1 | Download the Starlink App

Scan the QR code to download the Starlink App.



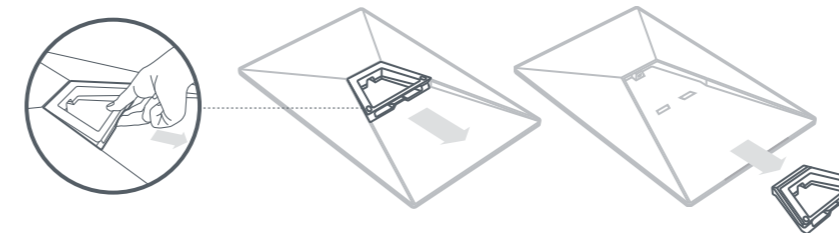
2 | Find Mounting Location

Your Starlink needs a clear view of the sky so it can stay connected with satellites as they move overhead. Objects that obstruct the connection between your Starlink and the satellite will cause service interruptions. Use the obstructions tool in your App to ensure you have selected a suitable mounting location. You will also want to ensure your Starlink is mounted in the correct orientation relative to your vehicle as shown below.



3 | Remove Kickstand

Squeeze the release tab and pull it away from its fixed location.



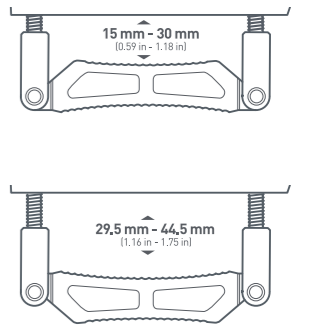
-2-

4 | Determine Correct Grip Pad Orientation

Determine the correct grip pad orientation based on the thickness of the roof rack bar on your vehicle.

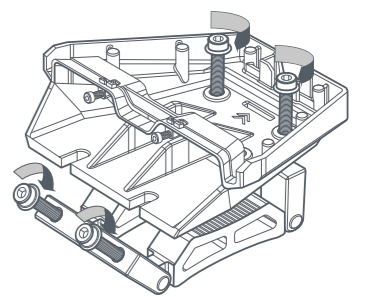
The Standard Roof Rack Mount can accommodate bars up to 95 mm (3.74 in) wide. The short side should be used with bars 15 mm (0.59 in) to 30 mm (1.18 in) thick. The long side should be used for all other bars up to 44.5 mm (1.75 in) thick.

The mount base is also compatible with t-slot racks and can be installed using the two center holes. Hardware is not included for t-slot mounting.



5 | Install Screws into Mount

Loosely pre-install the provided screws into the mount base and the grip pad.

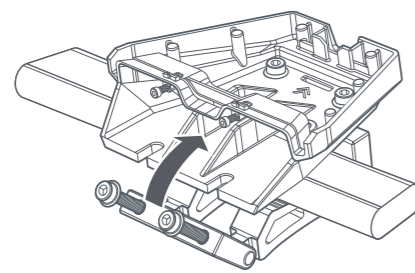


-3-

6 | Install Mount onto Roof Rack

Place mount onto cross bar and flip grip pad into latched position.

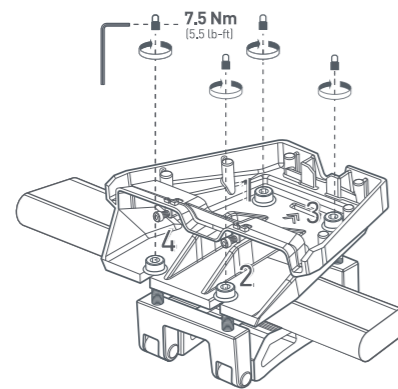
Ensure the proper installation orientation of the mount on your vehicle. The arrow indicated on the mount points towards the front of the vehicle.



7 | Secure Mount to Roof Rack

Ensure the grip pad is contacting the roof rack.

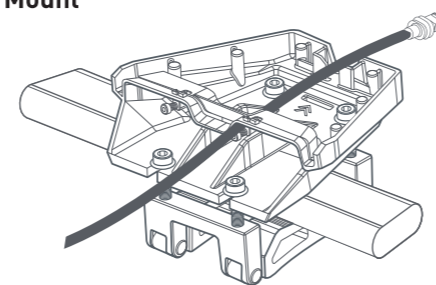
Tighten the four screws using the allen key to lock the Roof Rack mount in place. Tighten screws in opposite corners, repeating several times in all 4 corners until bolts reach 7.5 Nm (5.5 lb-ft). Ensure the mount base is level to ground and firmly attached.



-4-

8 | Route Cable Through Roof Rack Mount

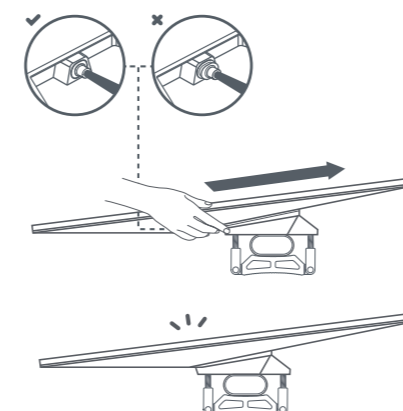
Route the Starlink cable through the opening in the roof rack mount and out the front end.



9 | Plug in Cable and Install Starlink

Plug the ethernet cable into your Starlink and ensure the ethernet cable is fully inserted.

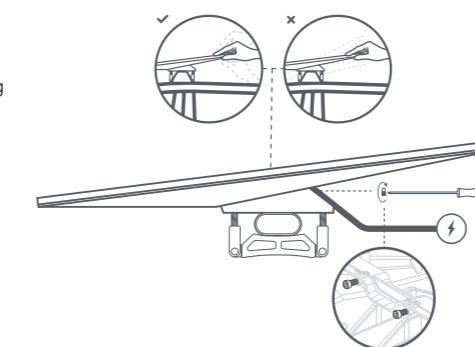
Slide your Starlink into the mount until it clicks into place.



-5-

10 | Secure Mount

Using the screwdriver, drive in the two locking screws until hand tight.



-6-