

MINI Device Connection and Power Supply Guide

1 | Connect the Power Cable

Insert one end of the SPX DC to DC power cable into the power socket of the MINI device.

2 | Install the MINI Bracket

Route the SPX DC to DC power cable through the opening in the pipe adapter and out the front end. Plug the cable into your Starlink and ensure the plug is fully inserted such that the plug face is flush with the surface.

3 | Connect to the Mobile Power Supply

Insert the other end of the SPX DC to DC power cable into the DC port of the mobile power supply.

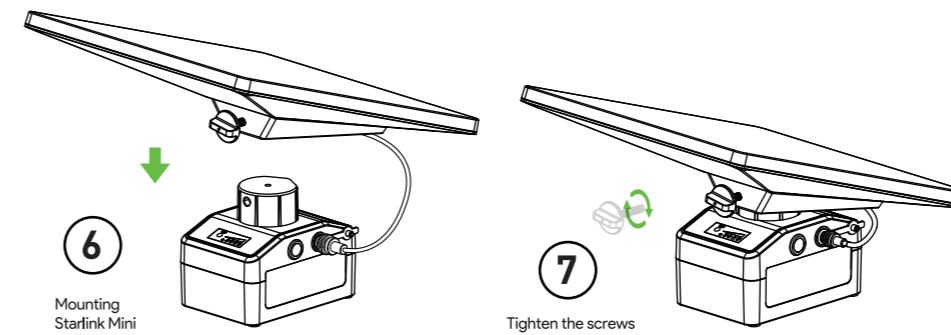
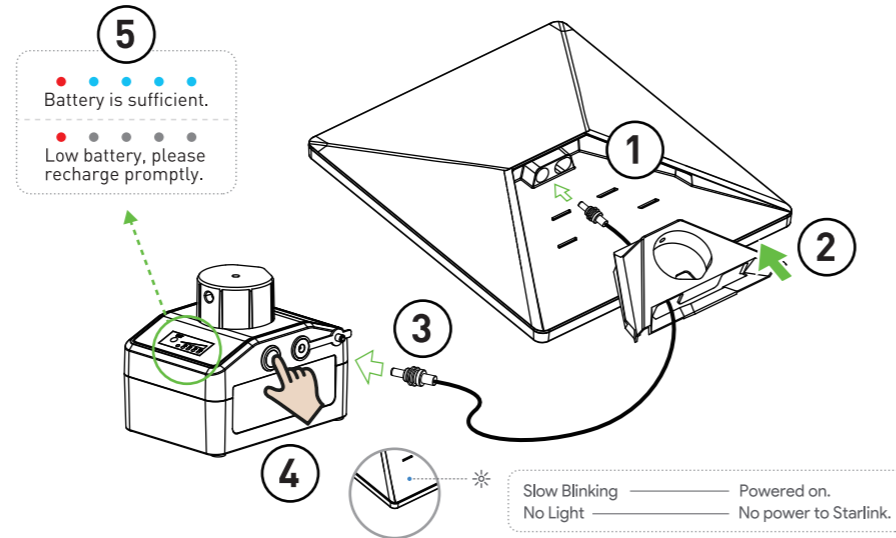
4 | Start Power Supply

Press the power button on the mobile power supply to power the MINI device.

5 | Check Battery Status

Short press the battery level indicator button on the mobile power supply:

Blue light: Battery is sufficient.
Red light: Low battery, please recharge promptly.



Mobile Power Supply Charging Guide

1 | Connect the Charger

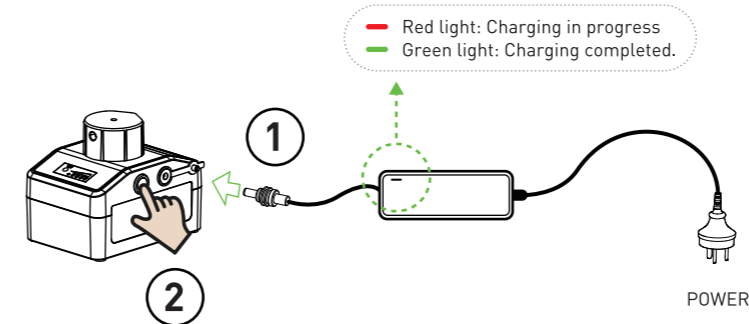
Insert the DC plug of the original mobile power supply charger into the DC port of the mobile power supply. Plug the AC end of the charger into a wall power socket.

2 | Start Charging

Turn on the mobile power supply to begin charging.

3 | Charging Indicator Light Description

Red light: Charging in progress
Green light: Charging completed.



Notes

1 | Charge Promptly:

When the battery indicator light turns red, charge the mobile power supply immediately to avoid usage interruptions.

2 | Use Original Equipment

Always use the original charger to ensure safety and optimal charging efficiency.

3 | Charging Indicator Light Description

Once the green light is displayed, disconnect the charger to prevent long-term overcharging, which may damage battery performance.

Product list

SPX DC to DC power cable x 1 SK0115 (Battery) x 1

Charger x 1 Installation guide x 1

Product Introduction

